

# HG500G

## DEMAND SIMPLICITY

The Hyde GUARDIAN Gold™ Ballast Water Treatment system is an effective and reliable solution combining filtration with Ultraviolet (UV) disinfection.

### HG500G Features:

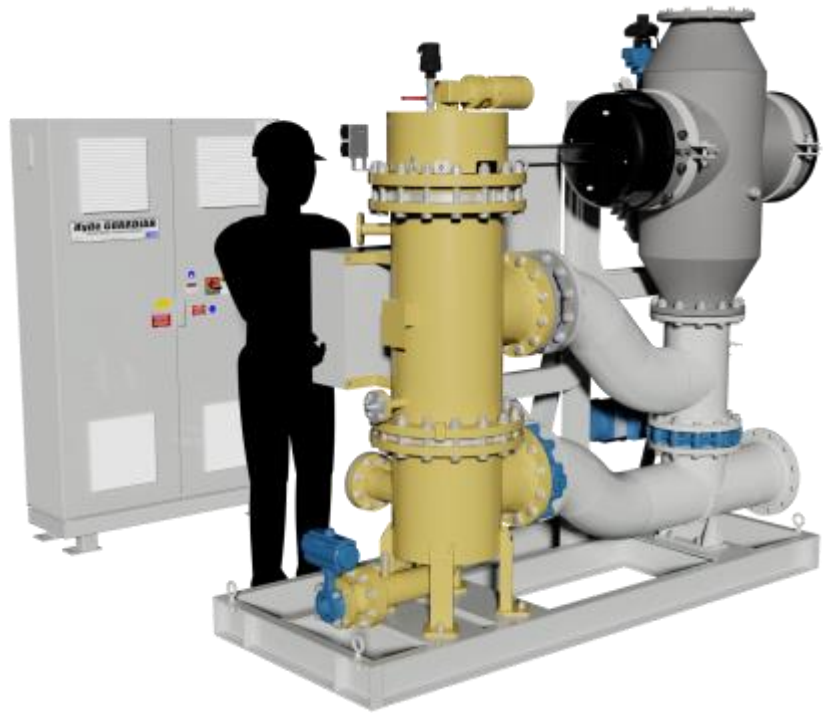
- Smallest footprint on the market
- Optimized for liner service vessels
- Seven automatic modes of operation allowing one-touch operation
- Automatic backflushing filter uses inlet pressure for backflush to improve cleaning efficiency
- Operates independent of salinity, temperature or hold time
- Two-sided reactor to reduce space

### What's Included:

- Filter
- UV Chamber
- Control Panel
- Power Panel
- Control valves
- Flow meter
- Air supply regulator

### Options available:

- Skid mounting (includes interconnect piping and wiring)
- Hazardous Area certification available
- Remote panels
- Direct interface to ships automation
- Isokinetic Sample Port(s)
- Gravity operation

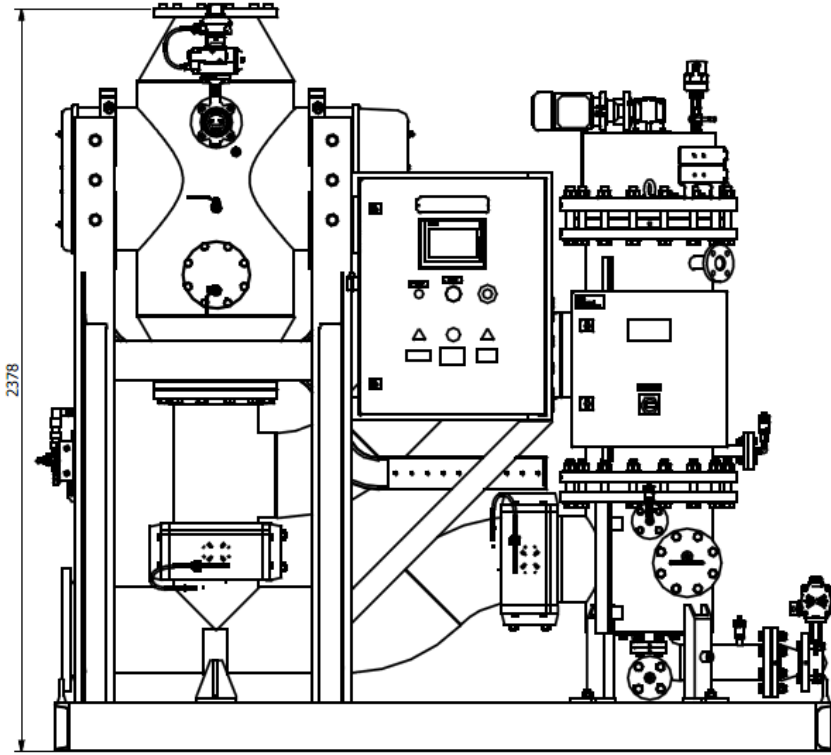


The HG500GS assembly mounts all major components to ease installation and provide the most compact solution available.

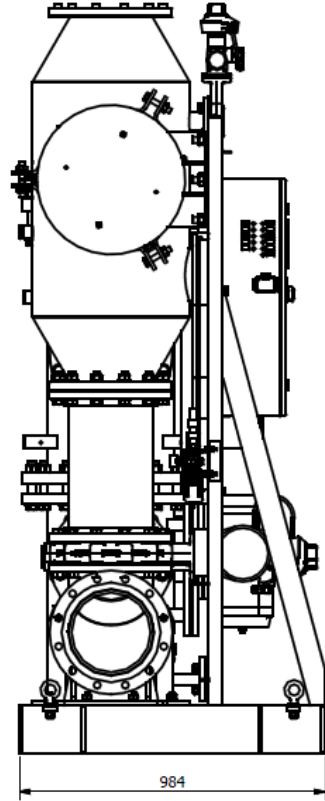
Technical Data	
Treatment Rated Capacity	500 m <sup>3</sup> /hr
Electrical Supply	380 – 690V · 50/60 Hz · 3 ph
Power Consumption	36 kW Nominal · 50 kW max
Max. Operating Pressure	10 bar
Minimum Flow	50 m <sup>3</sup> /hr
Max. Operating Temperature	55 C

Component	Size (L · W · H) (mm)	Weight (kg)
Skid (Complete Assembly)	2495 · 984 · 2378	1666
Filter	783 · 971 · 2054	620
UV Chamber	1207 · 1112 · 630	167
Control Panel	600 · 210 · 760	35
Power Panel	1206 · 406 · 1803	575

FRONT VIEW



SIDE VIEW



TOP VIEW

