

# HG1500G

## DEMAND RELIABILITY

The Hyde GUARDIAN Gold™ Ballast Water Treatment system is an effective and reliable solution combining filtration with Ultraviolet (UV) disinfection.

### HG1500G Features:

- Smallest footprint on the market
- Designed to interface with ship's IAS for centralized operation
- Optimized for larger vessels
- Seven automatic modes of operation allowing one-touch operation
- Automatic backflushing filter uses inlet pressure for backflush to improve cleaning efficiency
- Operates independent of salinity, temperature or hold time

### What's Included:

- Filter
- UV Chamber
- Control Panel
- Power Panel
- Control valves
- Flow meter
- Air supply regulator

### Options available:

- Skid mounting (includes interconnect piping and wiring)
- Hazardous Area certification available
- Remote panels
- Isokinetic Sample Port(s)
- Gravity operation



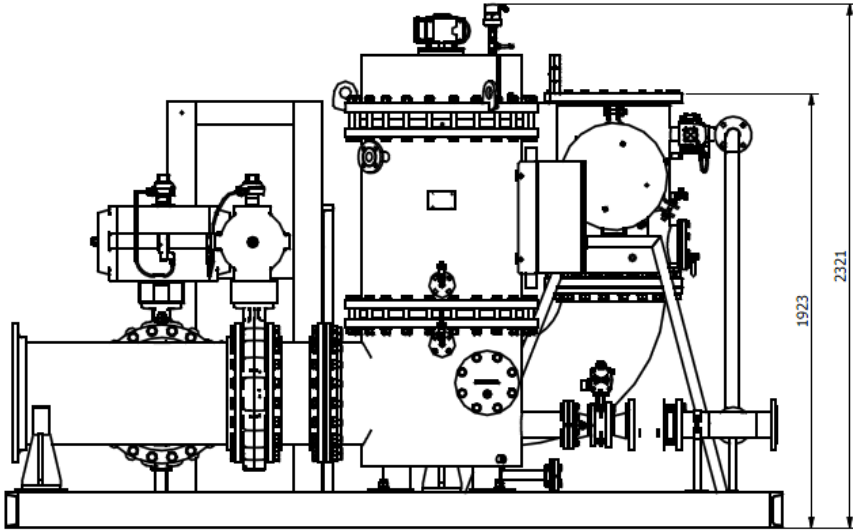
The HG1500GS assembly mounts all major components to ease installation and provide a compact, ready to run solution.

#### Technical Data

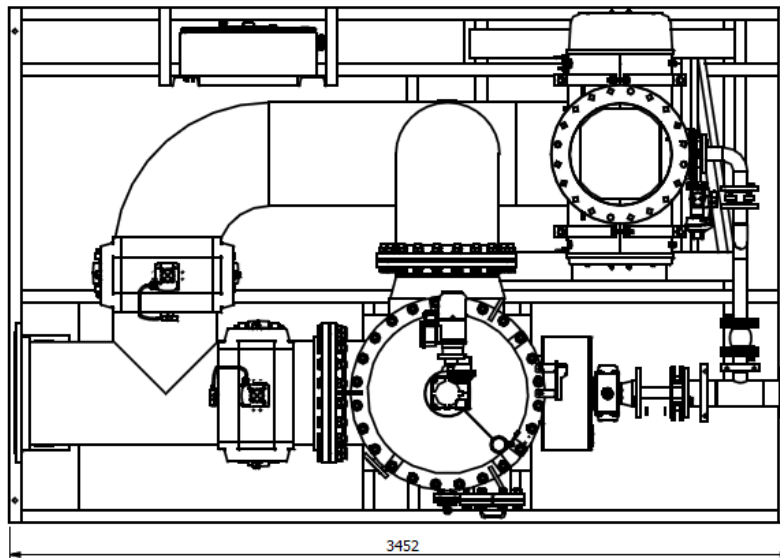
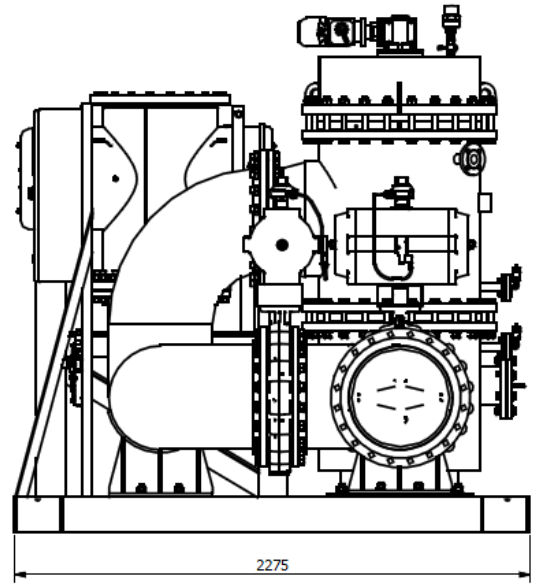
Treatment Rated Capacity	1500 m <sup>3</sup> /hr
Electrical Supply	380 – 690V · 50/60 Hz · 3 ph
Power Consumption	78 kW Nominal · 114 kW max
Max. Operating Pressure	6 bar
Minimum Flow	150 m <sup>3</sup> /hr
Max. Operating Temperature	55 C

Component	Size (L · W · H) (mm)	Weight (kg)
Skid (Complete Assembly)	2913 · 2054 · 2241	4054
Filter	1292 · 1136 · 2163	1188
UV Chamber	857 · 1112 · 630	172
Control Panel	600 · 210 · 760	35
Power Panel	1800 · 800 · 1800	1790

FRONT VIEW



SIDE VIEW



TOP VIEW